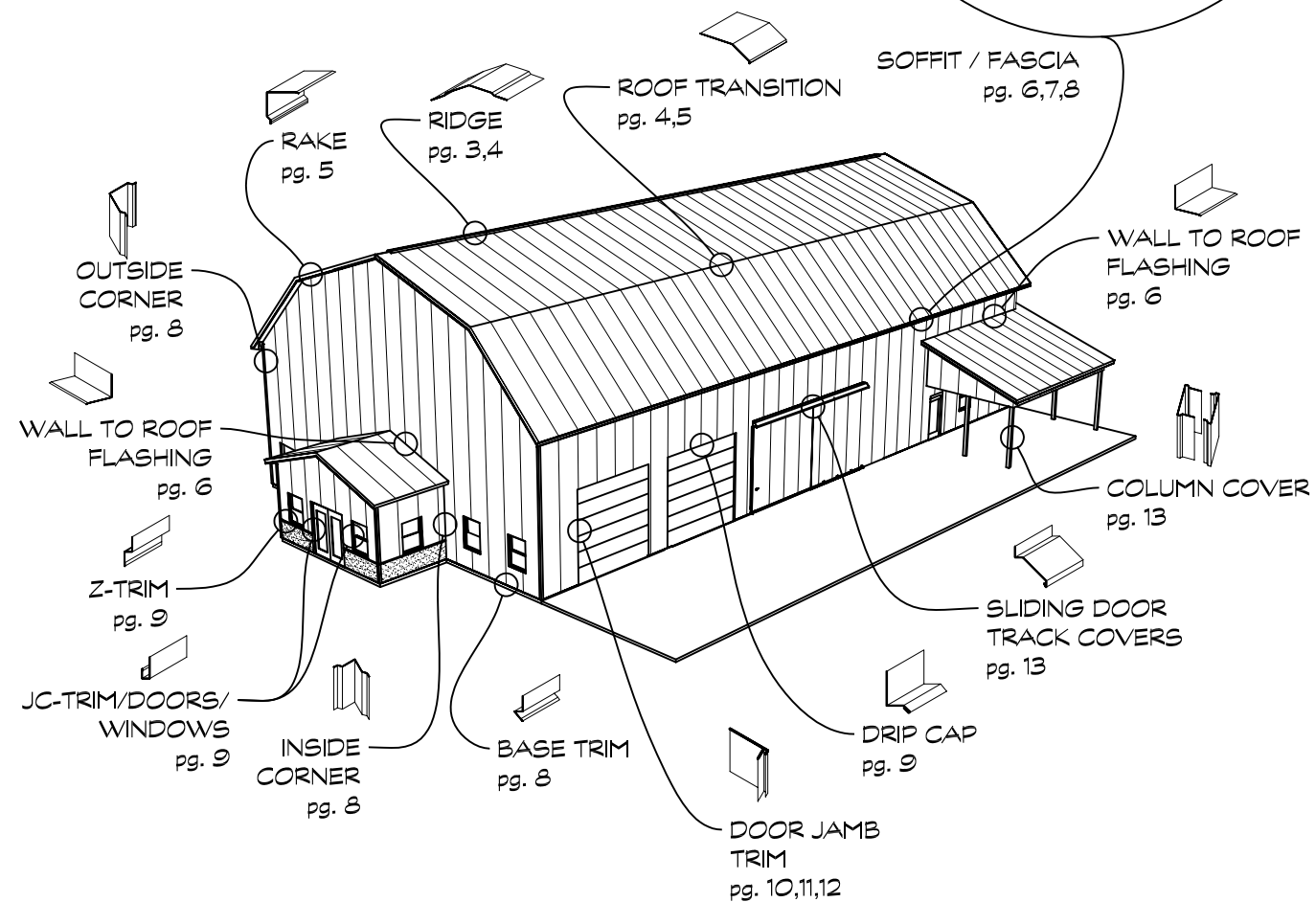
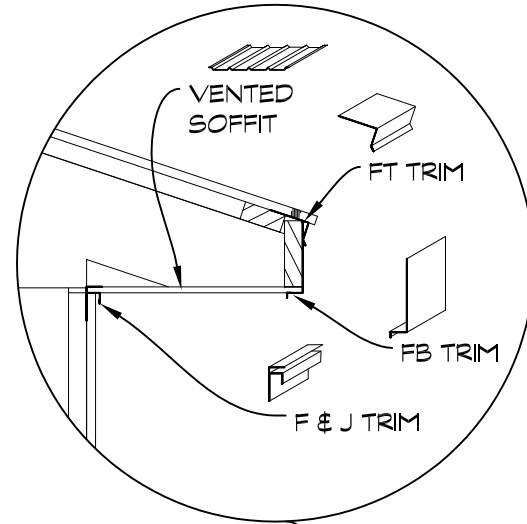




Product Catalog

POST FRAME TRIM USE:



PRODUCT INFORMATION

Panels:

- WeatherBest Panel
- WeatherBest 90 Panel
- WeatherBest 42 Panel

Flashings:

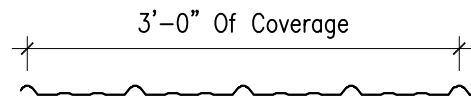
- Standard Trim Details For Residential Applications
- Standard Trim Details For Post Frame Applications

Accessories:

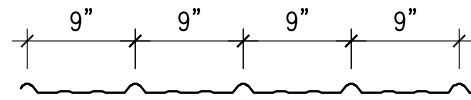
- Closure Strips & Lap Sealants
- Roof Boots
- Vented Ridge Cap Options
- Fasteners
- Translucent Panels
- Soffit
- 1oz Touch-up Paint

NOTES:

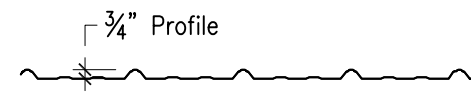
WEATHEREDGE PANEL OPTIONS



WeatherBest Panel
 - Galvalume AZ-50
 - 29 Gauge
 - 40 Year Warranty
 - Available In 18 Colors & Unpainted

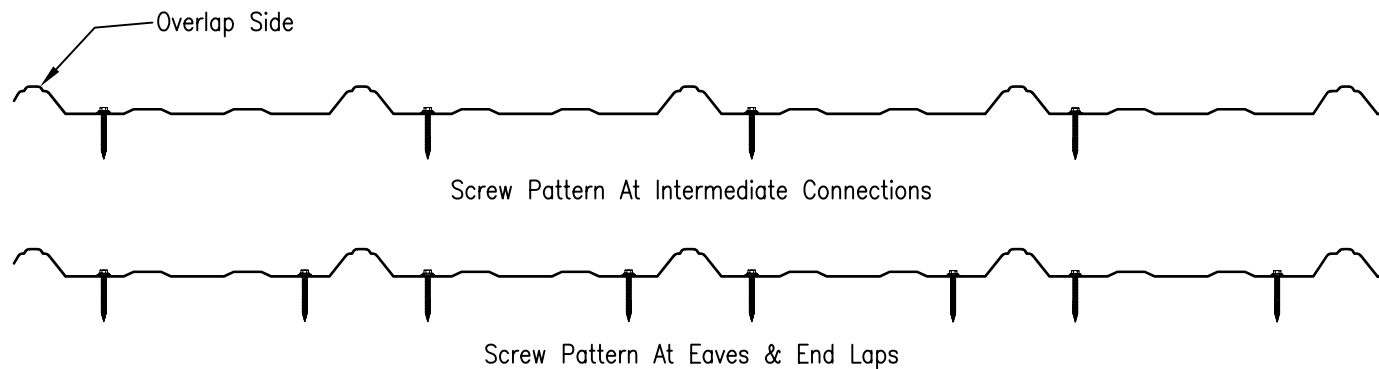


WeatherBest 90 Panel
 - Galvanized G-90
 - 29ga Gauge
 - 40 Year Warranty
 - Available In White, Brite White, Evergreen & Unpainted

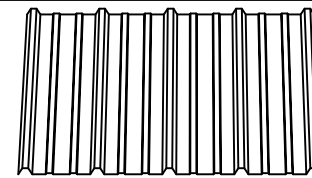
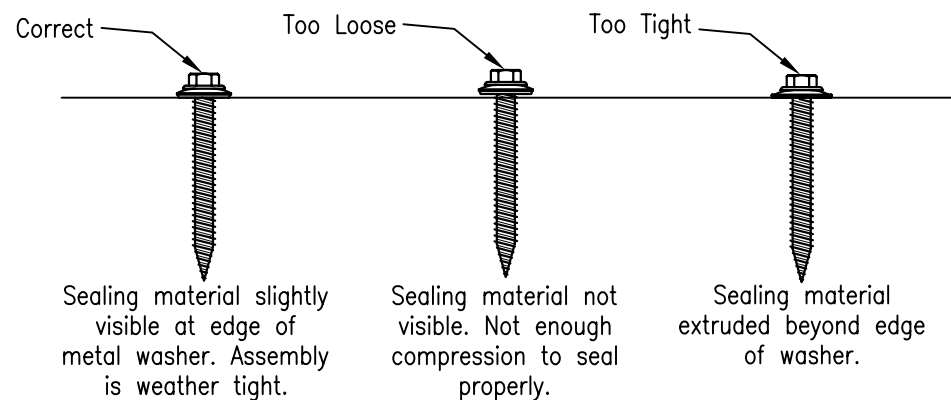


WeatherBest 42 Panel
 - Galvalume AZ-50
 - 29ga Painted
 - 10 Year Warranty
 - Available In Limited Colors

SCREW PATTERNS



SCREW TIGHTENING



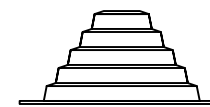
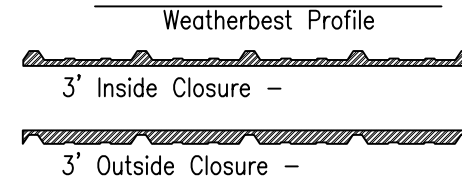
FIBERGLASS TRANSLUCENT PANELS

Weatherbest Profile White 5oz Panel
 8' -
 10' -
 12' -

POLYCARBONATE PANELS

Weatherbest Profile - Clear/ White
 8' -
 10' -
 12' -

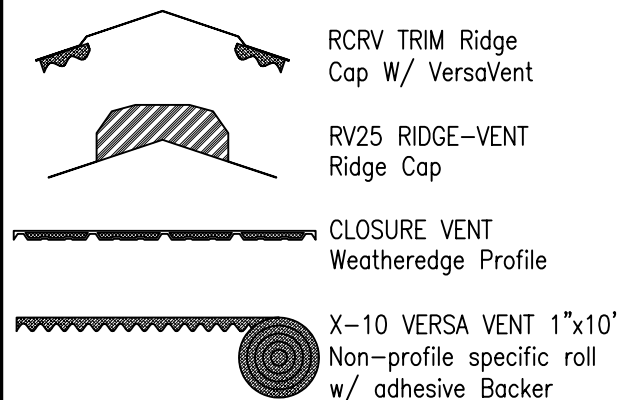
NON-VENTED CLOSURES



ROOF BOOTS

250° Low Temp Sizes (Color Gray)	450° High Temp Sizes (Color Red)
#2 (1 1/2" to 3 1/4")	#3 (1 1/2"-4")
#3 (1 1/2" to 4")	#4 (3"-6")
#4 (3" to 6")	#5 (4"-7")
#5 (4" to 7")	#8 (7"-13")
#6 (5" to 9")	#9 (10"-19")
#7 (6" to 11")	
#8 (7" to 13")	
#9 (10" to 19")	

VENTED RIDGE PRODUCTS



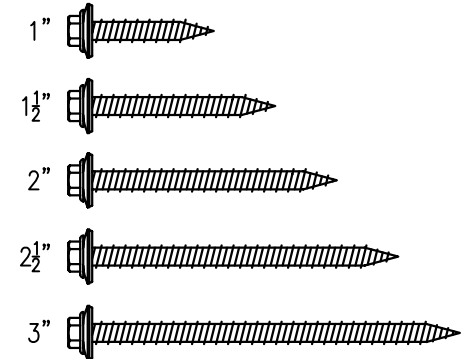
29GA FLAT SHEETS

43" X 10'-2" Flat Stock

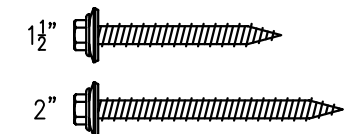
21-1/2" x 21'-0" Coil Stock

FASTENERS (100 cnt bags)

#10-14 Sureloc Carbon Steel Zinc Plated W/ Surecoat & Bonded Washer



#10-16 Stainless W/ Bonded Washer - Mill Finish



#12 3/4" Stitch Or Lap Screw

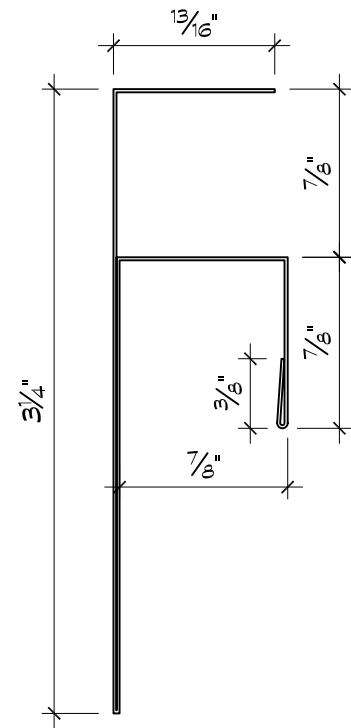


SEALANT TAPE 3/32"x1/2"x40'

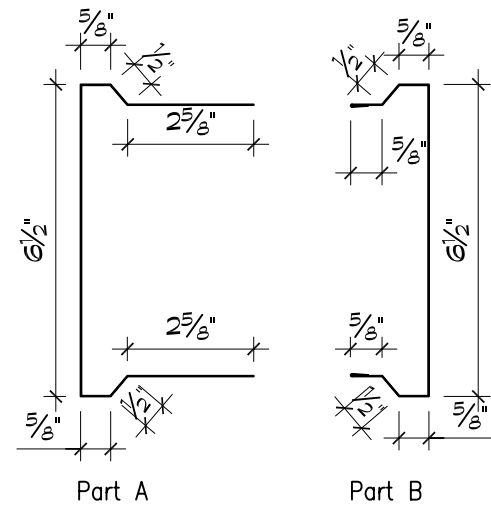
ASPHALT IMPREGNATED SEALER STRIP
 1" X 1" X 19'-6"

Custom Trims Are Available Upon Request. Call For Pricing.

LT TRIM
Liner Trim

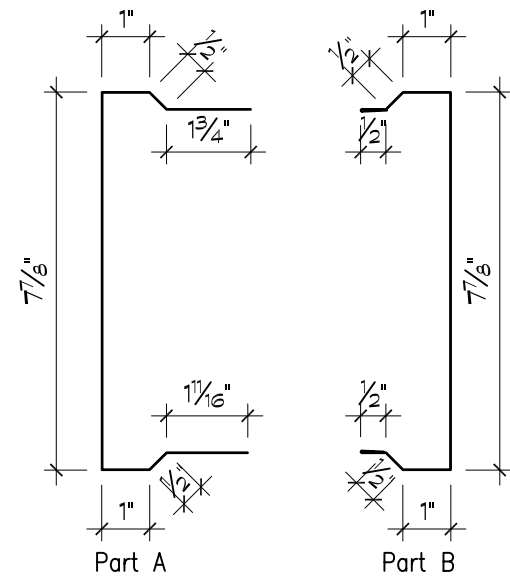


CC6 TRIM
Column Cover 6"



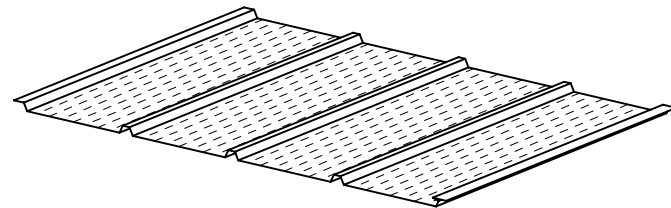
8'-0", 10'-2"

CC8 TRIM
Column Cover 8"



8'-0", 10'-2"

VENTED SOFFIT

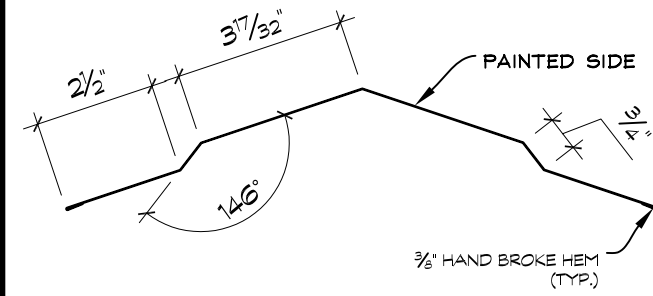


Fully Vented - 16" Coverage
Available In 18 Colors.

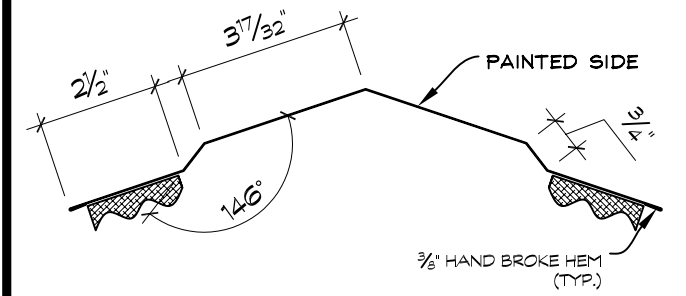
Sizes:

- 16" x 11 1/2"
- 16" x 17 1/2"
- 16" x 23 1/2"
- 16" x 12'-0"

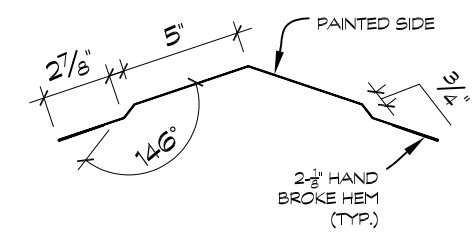
RCR TRIM
Ridge Cap



RCRV TRIM
Ridge Cap W/ VersaVent

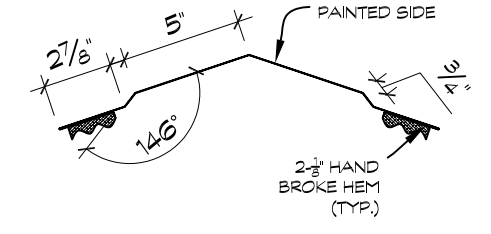


RCR2 TRIM
Ridge Cap



10'-6"

RCR2V TRIM
Ridge Cap W/ VersaVent

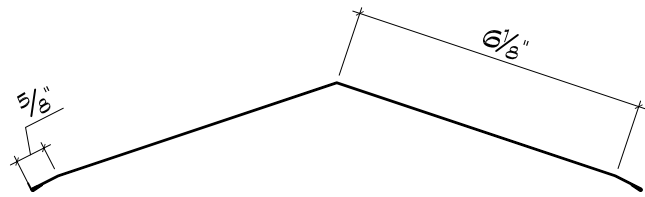


10'-6"

** All trims are 10'-2" in length unless otherwise noted **

RCS6 TRIM

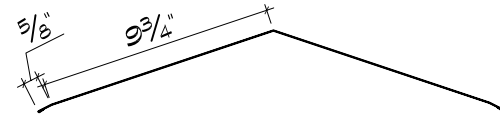
Ridge Cap Smooth



10'-6"

RCS9 TRIM

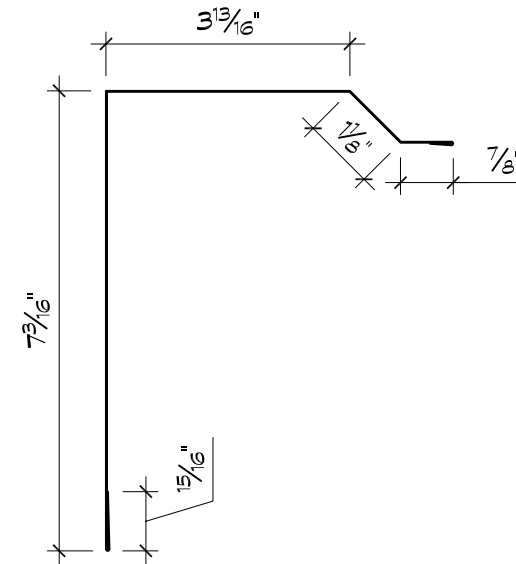
Ridge Cap Smooth



10'-6"

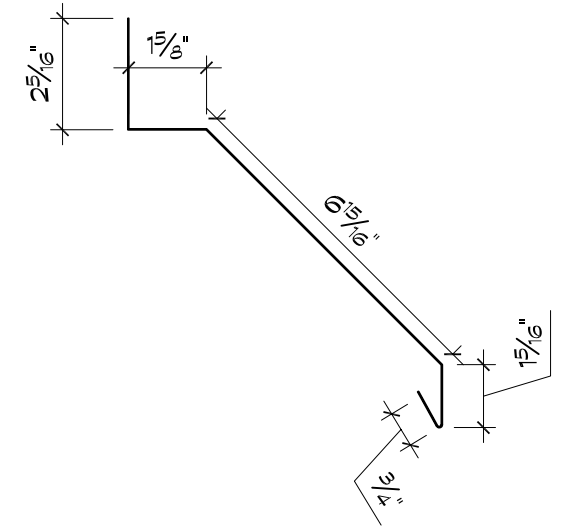
JT7 TRIM

Jamb Trim For 2x8



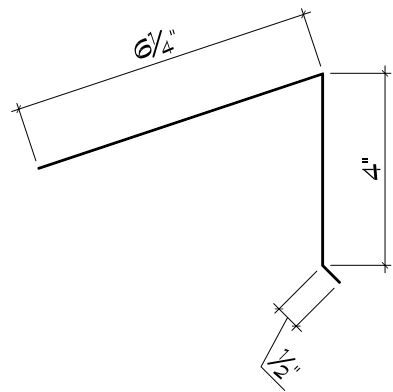
TCC TRIM

Cannonball Track
Cover # 646225



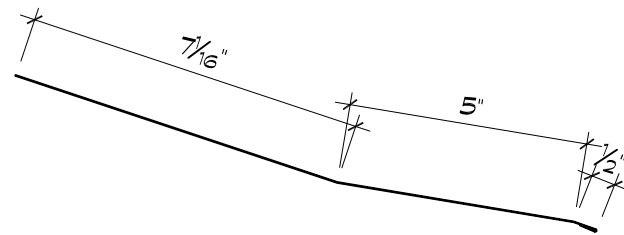
RMS TRIM

Mono Slope Ridge Cap



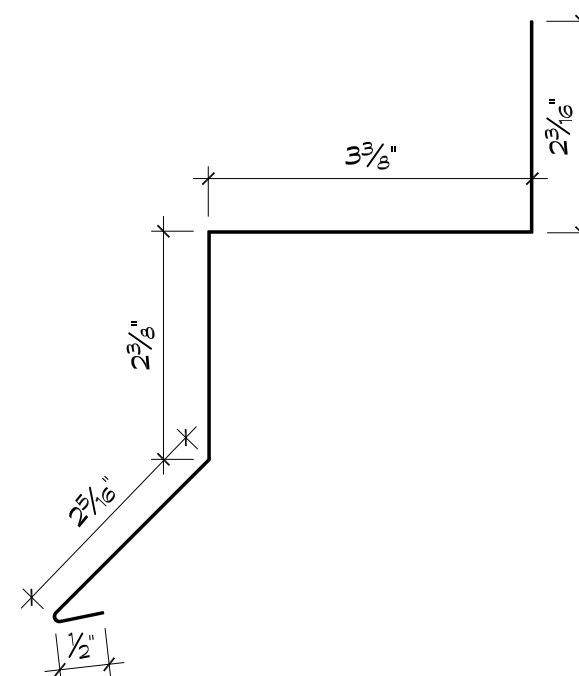
RT1 TRIM

Roof Transition Trim
-Inside



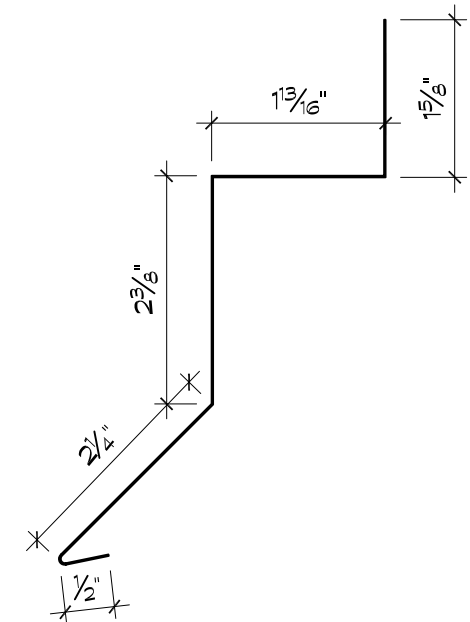
TCND TRIM

National Track Cover #
5120



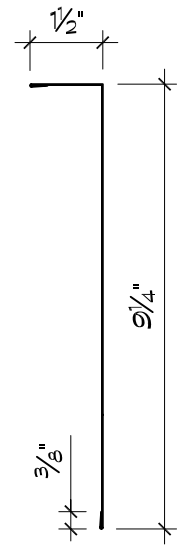
TCNS TRIM

National Track Cover #
5122



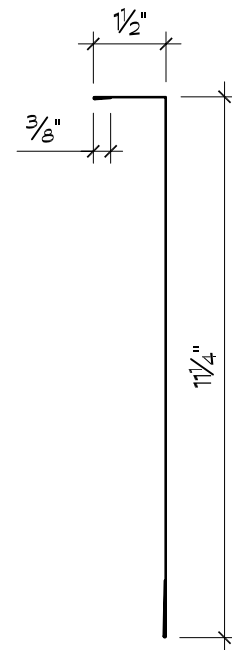
** All trims are 10'-2" in length unless otherwise noted **

L10 TRIM
Angle Trim

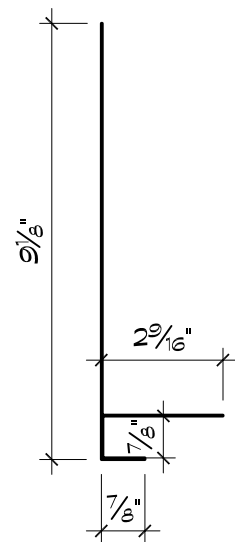


10'-2", 12'-2"

L12 TRIM
Angle Trim

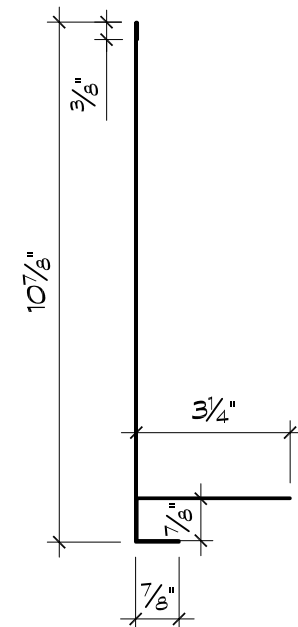


OHD6 TRIM
Overhead Door Jamb Trim



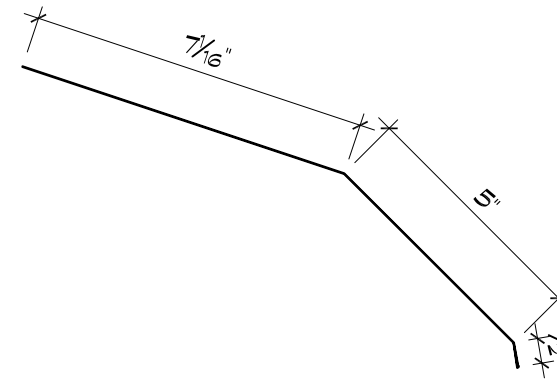
10'-2", 12'-2",
14'-2", 16'-2"

OHD8 TRIM
Overhead Door Jamb Trim

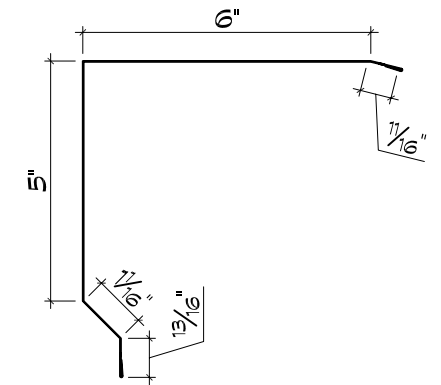


10'-2", 12'-2",
14'-2", 16'-2"

RT2 TRIM
Roof Transition Trim
-Outside

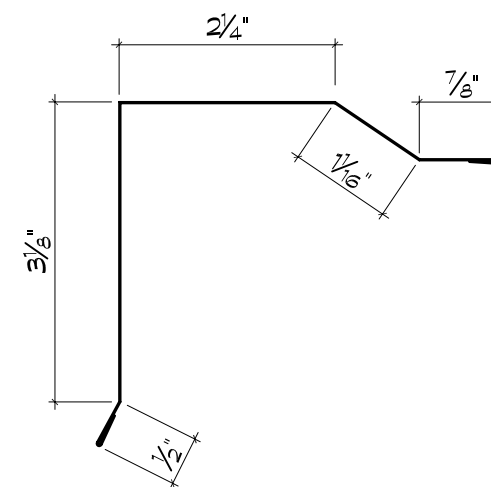


RG TRIM
Rake/ Gable
Trim

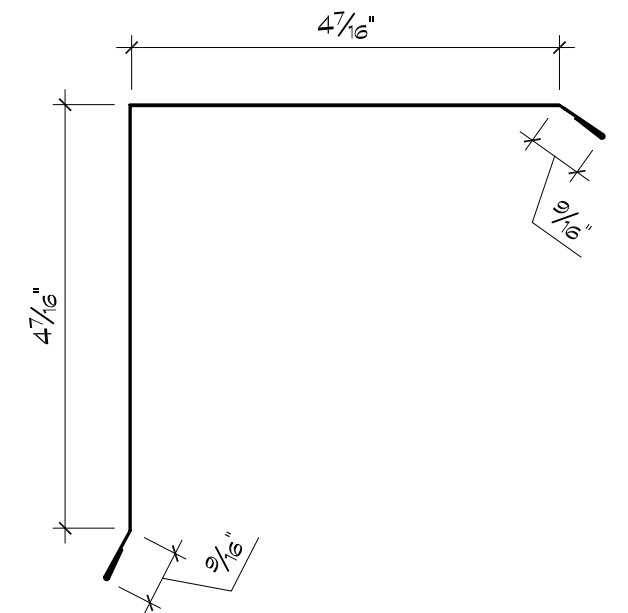


10'-2", 12'-2",
14'-2", 16'-2"

RGR3 TRIM
Residential Rake Gable



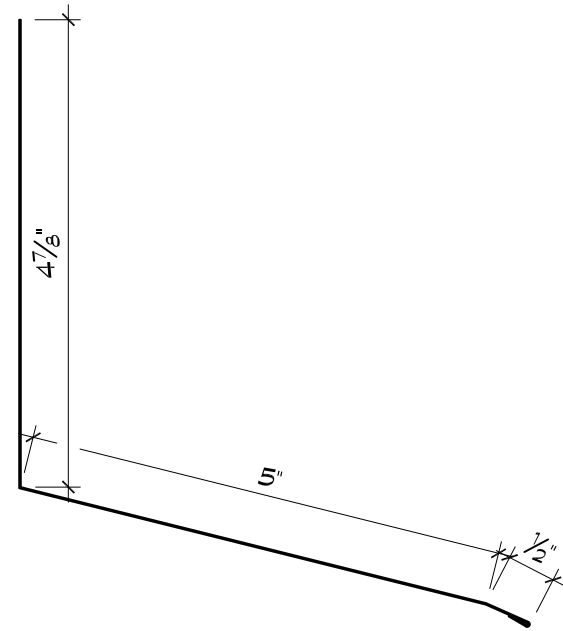
RGR4 TRIM
Agricultural Rake Gable



** All trims are 10'-2" in length unless otherwise noted **

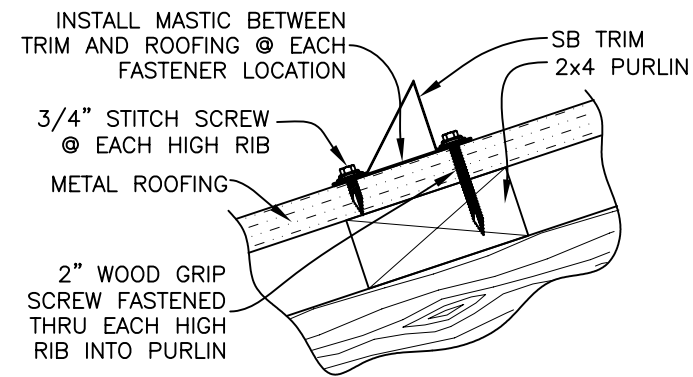
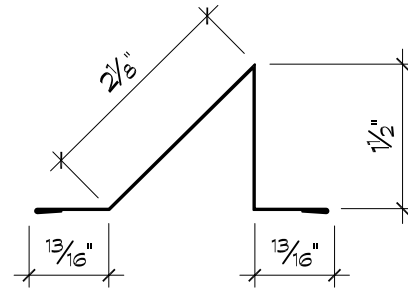
WRF TRIM

Wall To Roof Flashing



SB TRIM

Snow Bar Trim

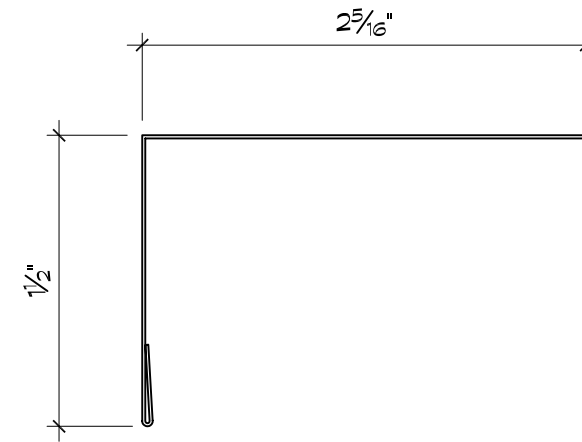


NOTE: (1) ROW OF SB TRIM REQUIRED FOR EVERY 25' OF ROOF RUN.

12'-2"

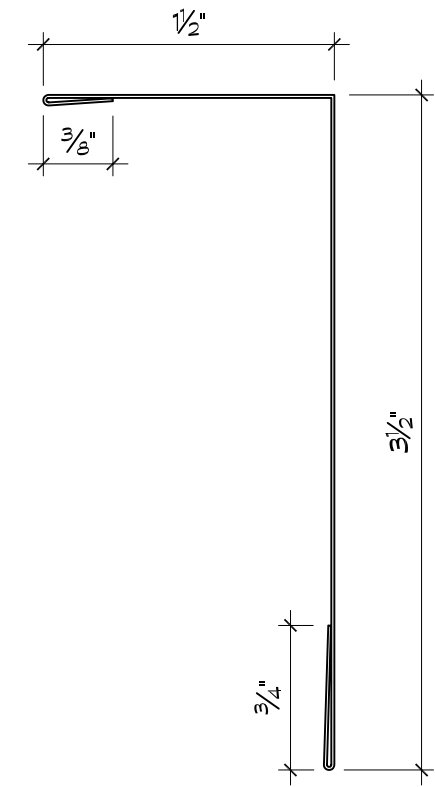
L3 TRIM

Angle Trim

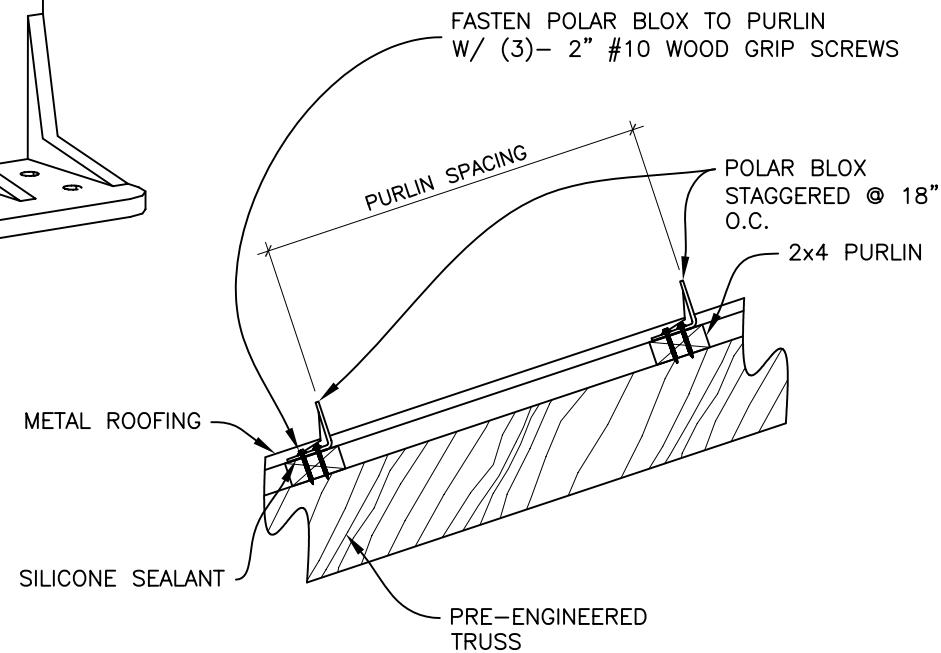
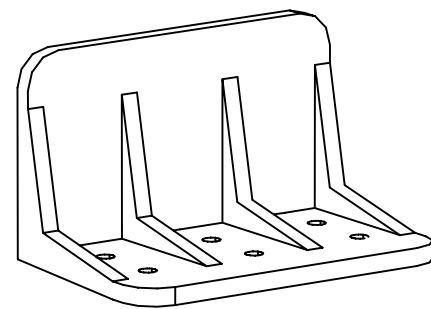


L4 TRIM

Angle Trim

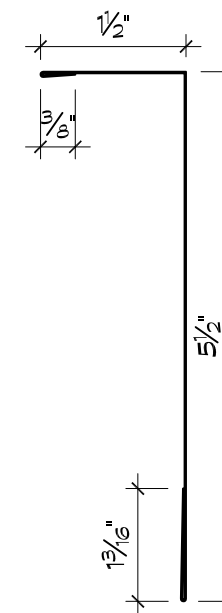


Polar Blox



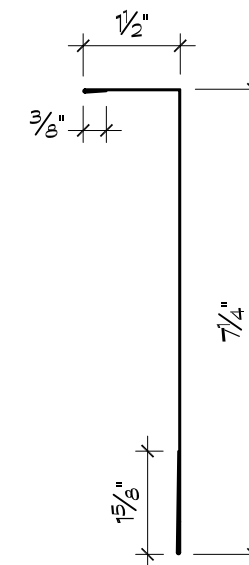
L6 TRIM

Angle Trim



L8 TRIM

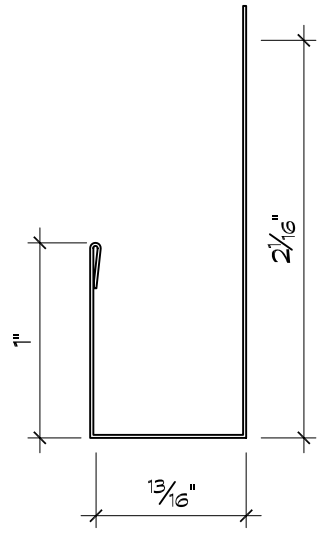
Angle Trim



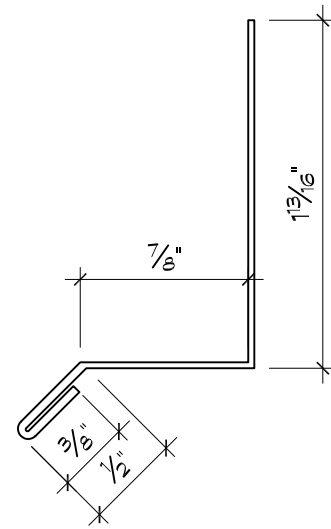
10'-2", 12'-2"

** All trims are 10'-2" in length unless otherwise noted **

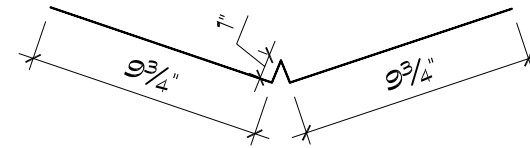
JC TRIM
J Channel



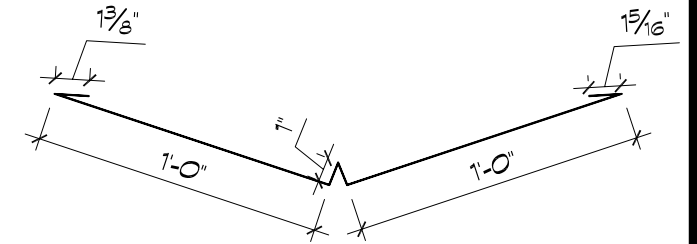
DC TRIM
Drip Cap



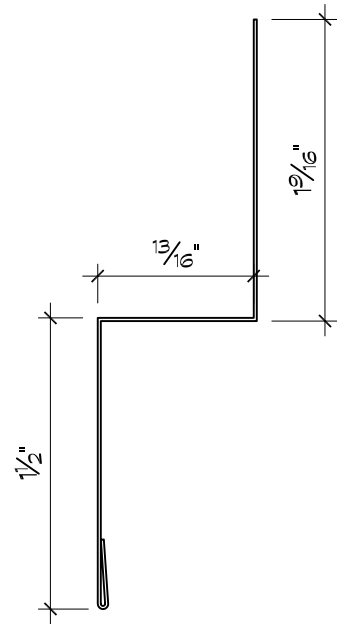
WV9 TRIM
Valley Trim 9"



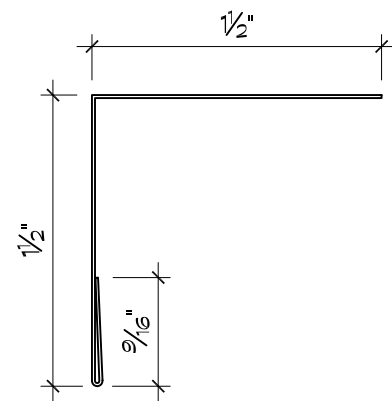
WV12 TRIM
Valley Trim 12"



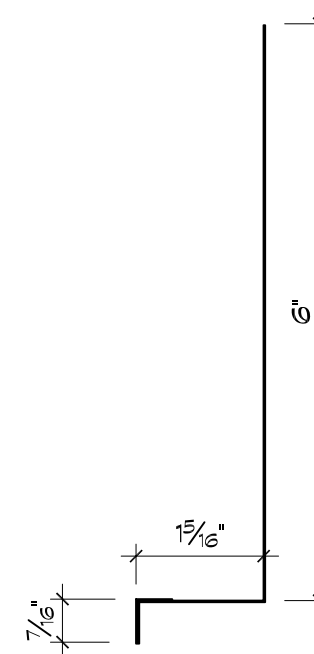
Z TRIM
Zee Trim



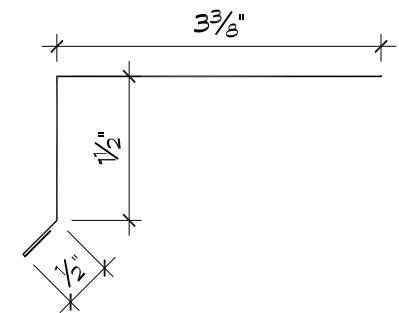
L2 TRIM
Angle Trim



FB TRIM
Fascia Bottom Trim

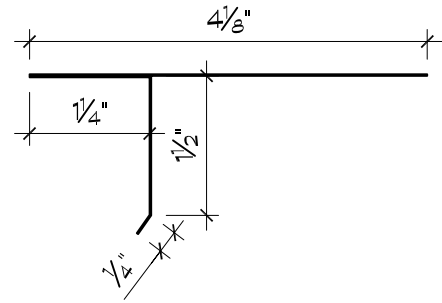


FT TRIM
Fascia Top Trim

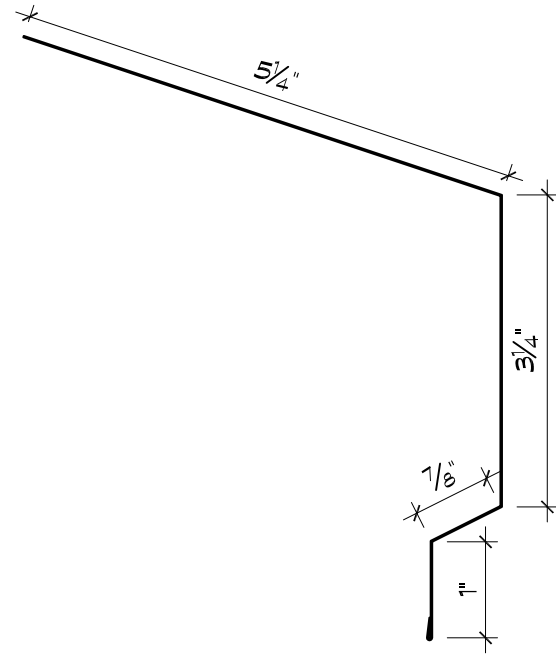


** All trims are 10'-2" in length unless otherwise noted **

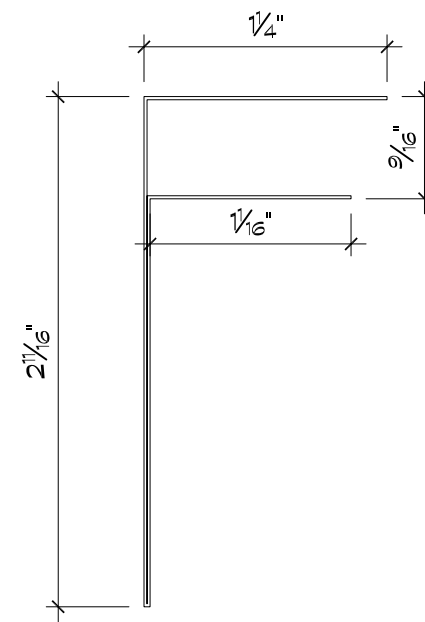
DES TRIM
Shingle Drip Edge



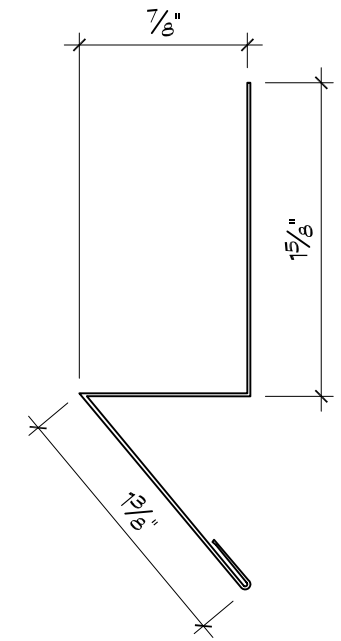
EPF TRIM
Eave Trim For Post Frame



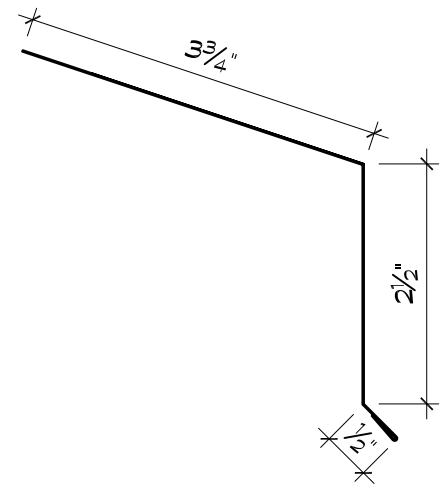
F TRIM
WeatherEdge 1/2" Soffit Trim



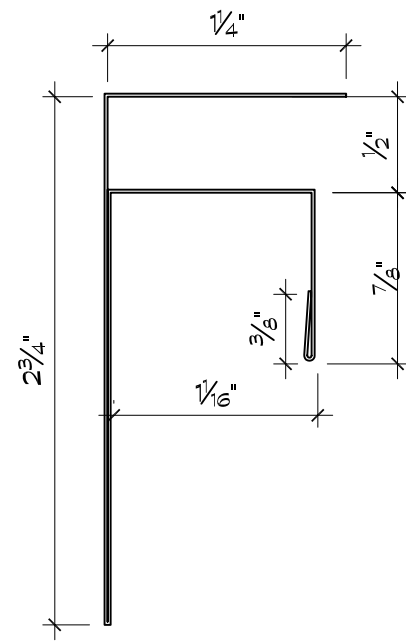
BG TRIM
Base Trim



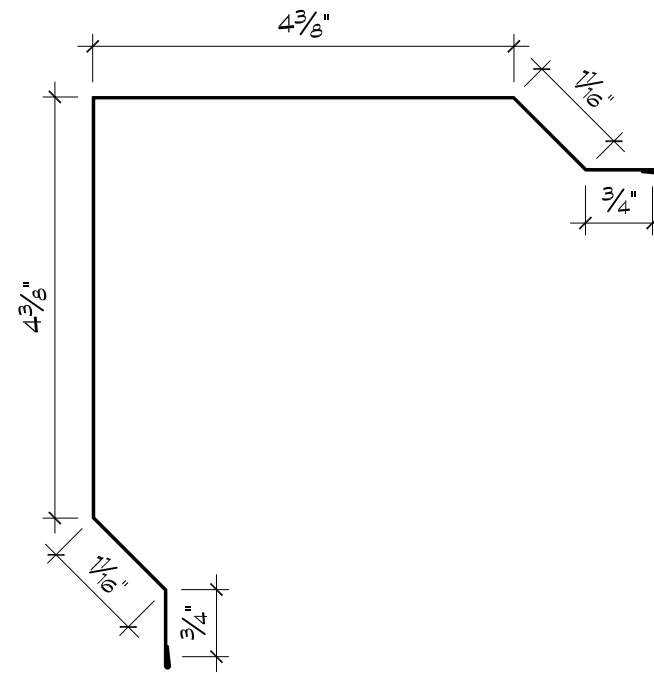
ER TRIM
Eave Trim For Residential



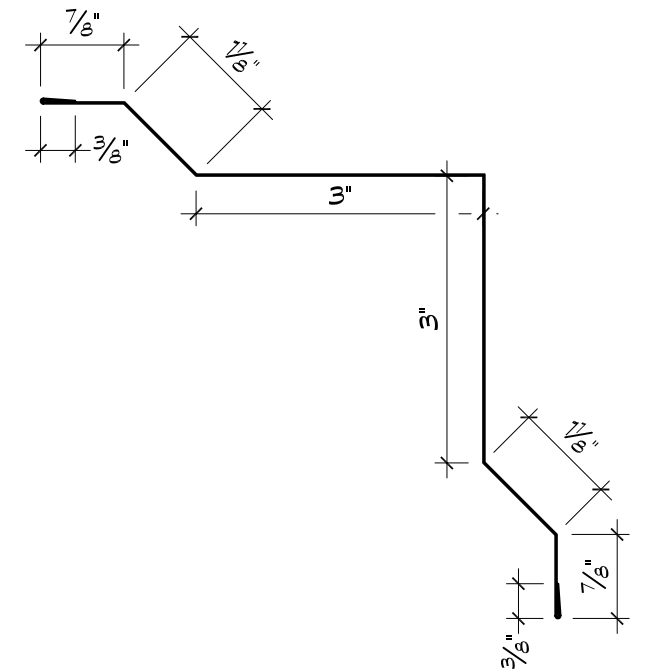
F & J
Soffit/ Siding Trim



CR TRIM
Corner & Rake



IC TRIM
Inside Corner Trim



** All trims are 10'-2" in length unless otherwise noted **

10'-2", 12'-2",
14'-2", 16'-2"